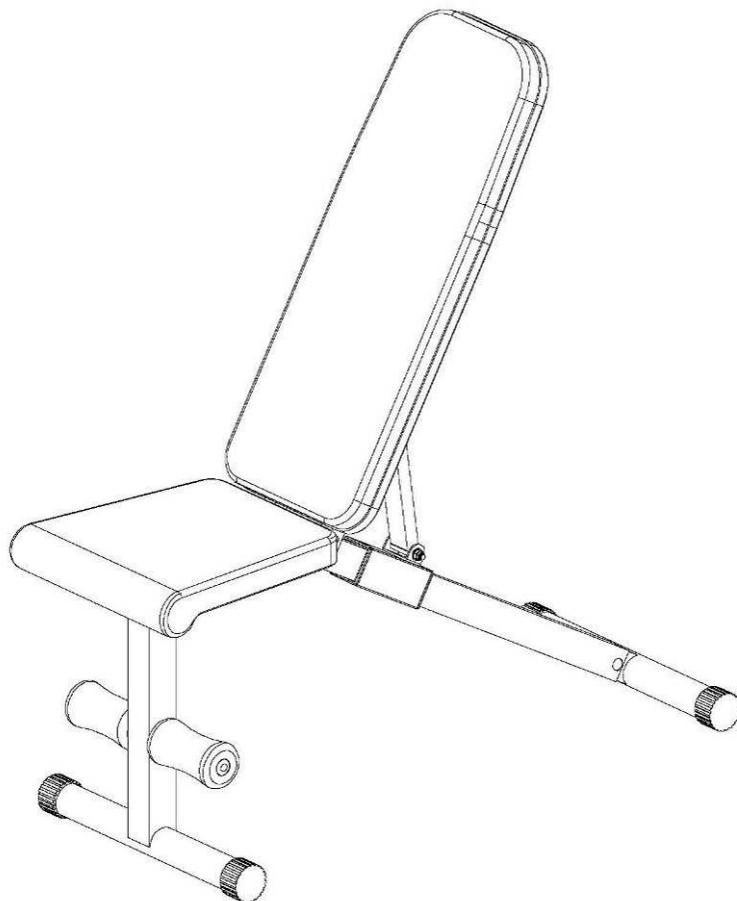




ADBE-10234 UTILITY BENCH
ASSEMBLY INSTRUCTIONS



PARTS CHECK LIST

1 *1



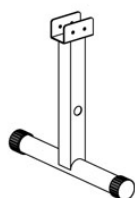
8 *1



25 *2



2 *1



9 *1



3 *1



12 *1



6 *2



16 *1



7 *1



24 *1



HARDWARE PACK CHECK LIST



HEX BOLT (M12*65MM)

19 *1



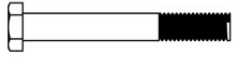
HEX NUT (M12*8MM)

28 *1



WASHER (M8*25MM)

29 *6



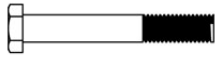
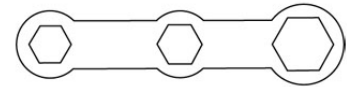
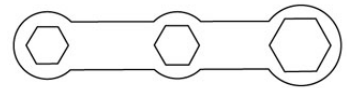
HEX BOLT (M10*75MM)

14 *2



HEX NUT (M10*12MM)

22 *2



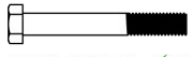
HEX BOLT (M10*70MM)

20 *1



HEX NUT (M10*8MM)

5 *1



HEX BOLT (M8*60MM)

10 *2



WASHER (M12*25MM)

27 *1



HEX BOLT (M8*40MM)

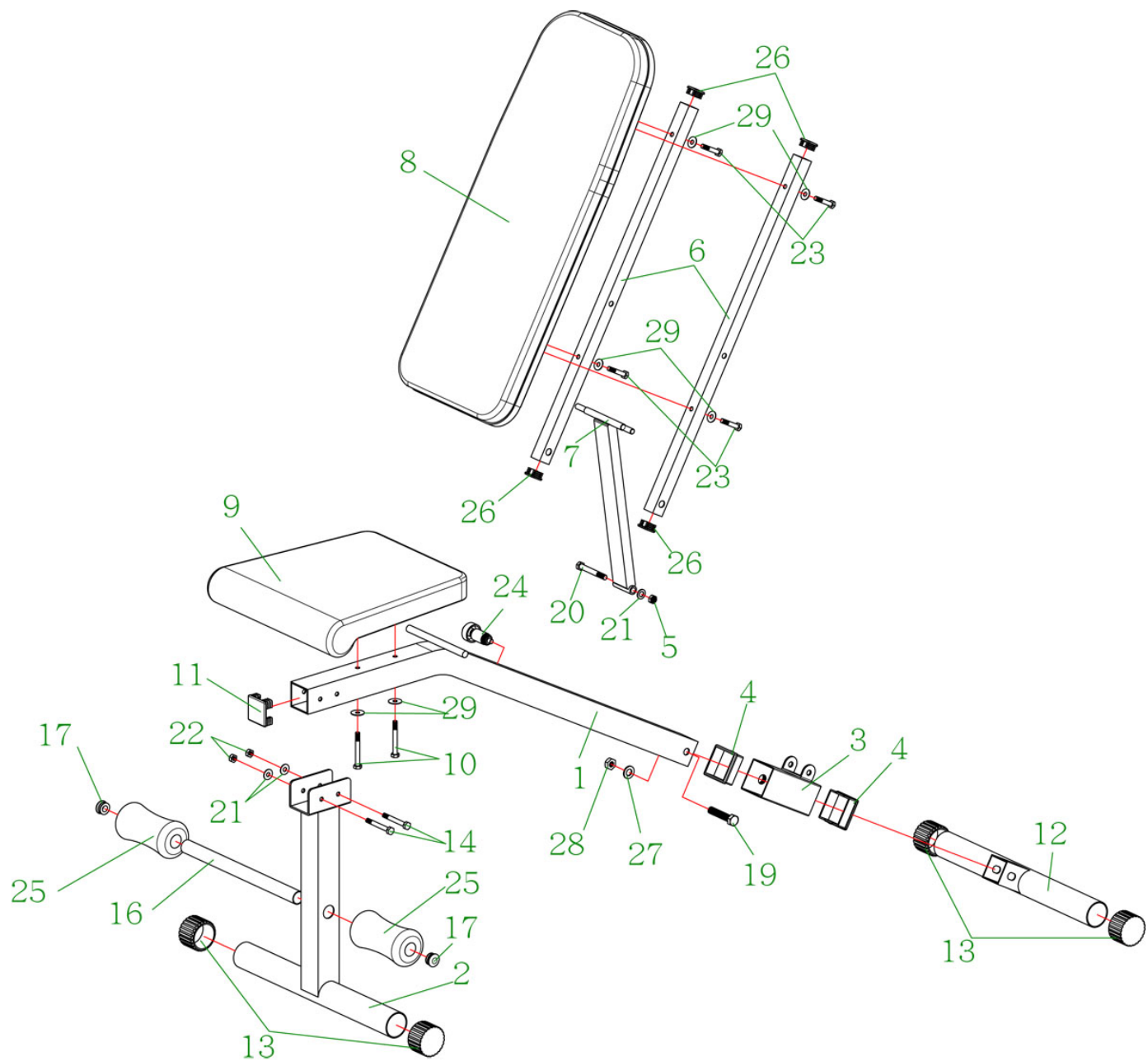
23 *4



WASHER (M10*25MM*2.0MM)

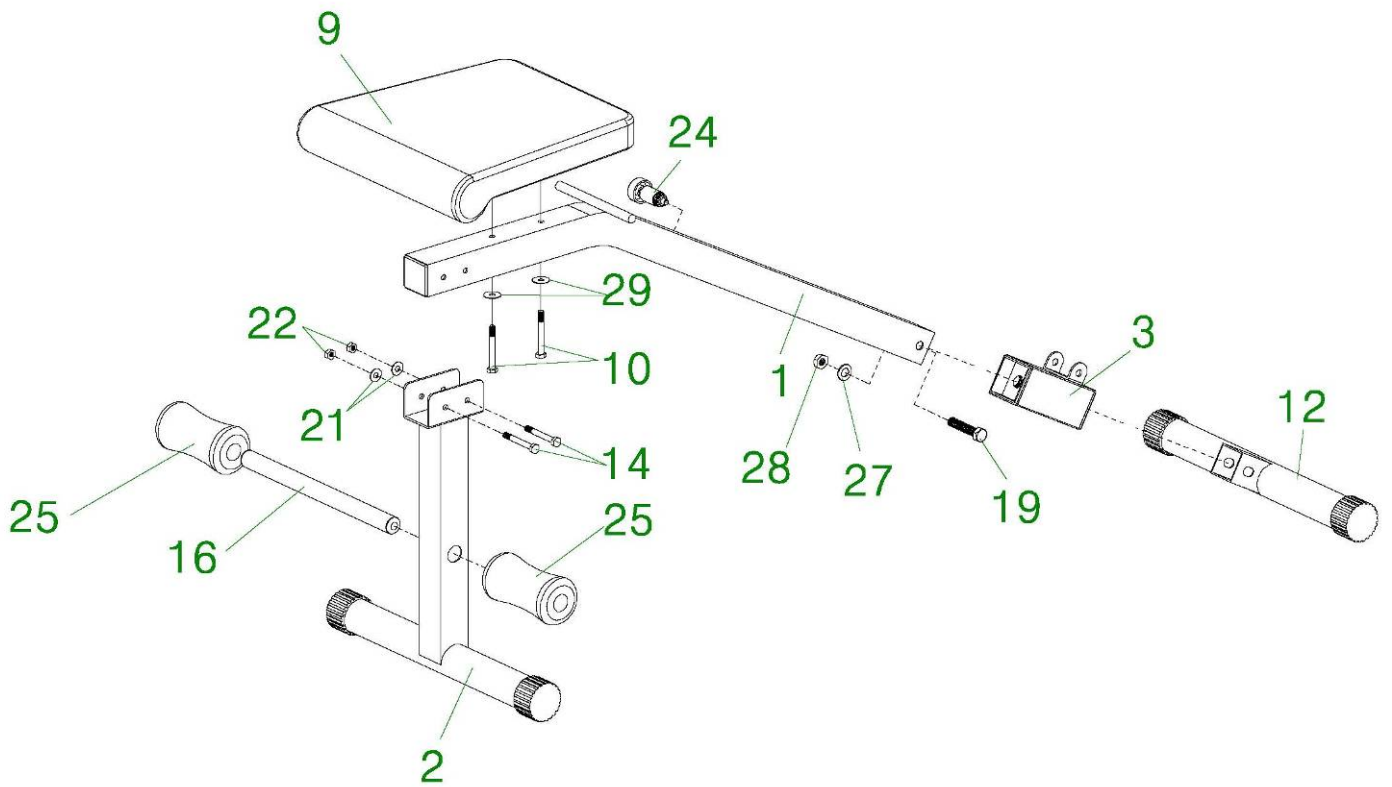
21 *3

EXPLODED DIAGRAM



PARTS LIST

NO.	DESCRIPTION	QTY	NO.	DESCRIPTION	QTY
1	CENTRAL BRACE	2	14	HEX BOLT M10*75MM	1
2	FRONT LEG	1	16	FOAM TUBE	1
3	BACK ADJUSTMENT SLIDER	1	17	ROUND PLUG (25.4MM)	2
4	SQUARE BUSHING 60MM	2	19	HEX BOLT M12*65MM	1
5	HEX NUT M10*8MM	1	20	HEX BOLT M10*70MM	1
6	BACKREST SUPPORT	2	21	WASHER M10*25MM	3
7	BACKREST BRACE	1	22	HEX NUT M10*12MM	2
8	BACKREST	1	23	HEX BOLT(M8*40MM)	4
9	SEAT PAD	1	24	LOCKING KNOB	1
10	HEX BOLT M8*60MM	2	25	ROLLER PADS	2
11	SQUARE PLUG 50MM	1	26	SQUARE PLUG (25.4MM)	4
12	BACK LEG	1	27	WASHER M12*25MM	1
13	ROUND END CAP 50MM	4	28	NYLON NUT(M12*8MM)	1
			29	WASHER M8*25MM	6

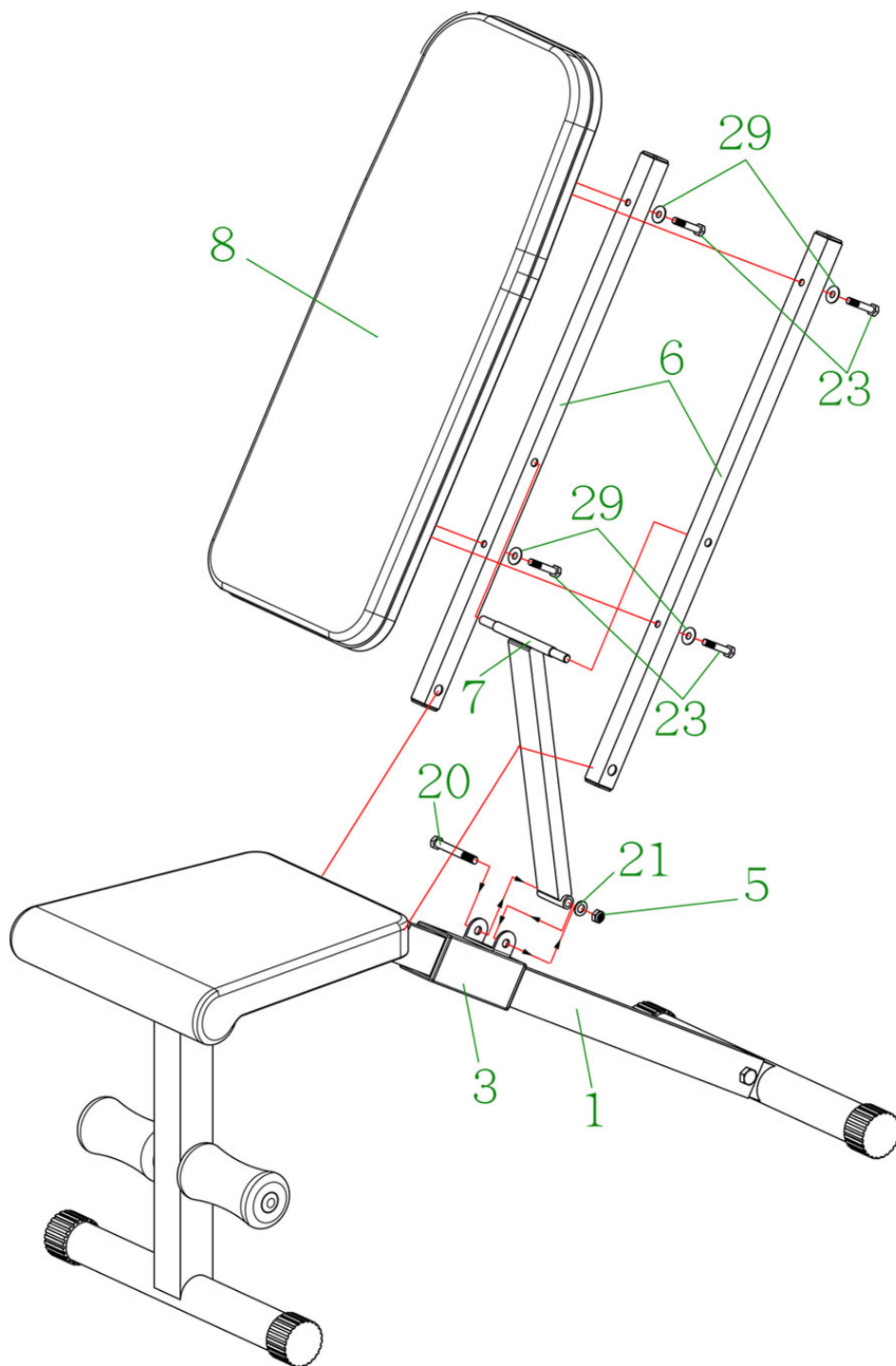


****PLEASE DO NOT FULLY TIGHTEN UNTIL THE ASSEMBLY IS COMPLETE****

STEP1

ATTACH FRONT FOOT TUBE (2) ONTO CENTRAL BRACE (1) AND SECURE WITH 2 HEX BOLT M10*75MM (14), 2 WASHER 10*25MM (21) AND 2 HEX NUT M10 X 12MM (22). INSTALL BACK ADJUSTMENT SLIDER (3) THROUGH THE END OF CENTRAL BRACE (1) AND SECURE WITH LOCKING KNOB (24). ATTACH REAR FOOT TUBE (12) ONTO CENTRAL BRACE (1) AND SECURE WITH HEX BOLT M12*65MM (19), WASHER M12*25MM (27) AND NYLON NUT M12*8MM (28).

FIT SEAT PAD (9) ONTO THE CENTRAL BRACE (1) AND SECURE WITH 2 HEX BOLT M8*60MM (10) AND 2 WASHER M8*25MM (29). INSTALL THE FOAM TUBE (16) THROUGH FRONT FOOT TUBE (2) THEN ATTACH ROLLER PADS (25) ON BOTH ENDS OF FOAM TUBE (16)



STEP2

FIT THE BACKREST BRACE (7) ONTO BACK ADJUSTMENT SLIDER (3) AND SECURE WITH HEX BOLT M10*70MM (20), WASHER M10*25MM (21) AND HEX NUT M10*8MM (5).

FIT THE MIDDLE HOLE OF BACKREST SUPPORT (6) ONTO THE END OF BACKREST BRACE (7), AT THE SAME TIME ALSO FIT THE END HOLE OF BACKREST SUPPORT (6) ONTO TOP SHAFT OF CENTRAL BRACE (1) AND HOLD THEM. THEN FIT THE BACKREST (8) ONTO BACKREST SUPPORT (6) AND SECURE WITH 4 HEX BOLT M8*40MM (23) AND 4 WASHER M8*25MM (29).

**PLEASE FULLY TIGHTEN ALL FASTENERS OF ENTIRE EQUIPMENT.