

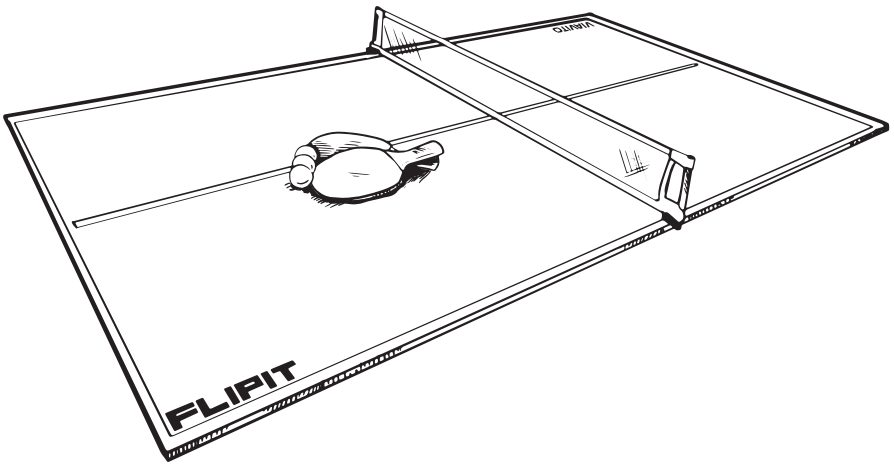


Owner's Manual.

# FLIPIT

6FT Table Tennis  
& Dining Top

[www.viavito.com](http://www.viavito.com)



Manual version: 2.1



# Congratulations on purchasing your very own **FLIPIT** 6FT Table Tennis & Dining Top

We are very confident you will have hours of fun playing with your new FLIPIT Table Tennis set. Everything is included to start playing and set-up takes just a few minutes.

When not in use either turn it over and it becomes a stylish wood look table top, or simply pull the 2 "halves" apart  
ENSURING THE METAL DOWELS  
ARE FULLY DISENGAGED TO  
AVOID DAMAGING THE PRODUCT.

For more information, or if you require any assistance please email us at **support@viavito.com**

## Manual Contents.

Safety Information	<b>03</b>
<hr/>	
Product Assembly	<b>04/06</b>
Contents Checklist	04
Assembly Instructions	05/06
<hr/>	
Customer Support	<b>07/08</b>
Contact Information	07
Manufacturer's Warranty	08



# Safety Information.

- Please read all the instructions carefully before using this product.
- Retain this manual for future reference.
- The specifications of this product may vary slightly from the illustrations and are subject to change without notice.

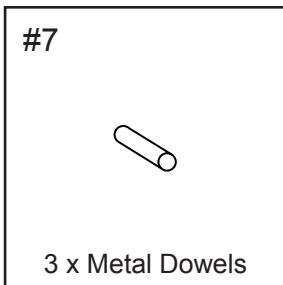
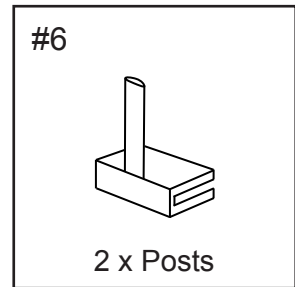
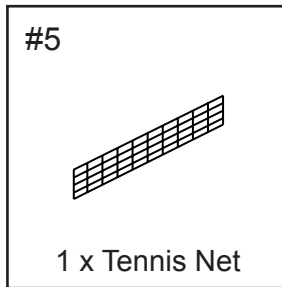
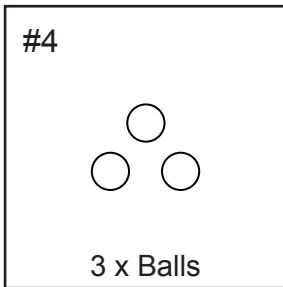
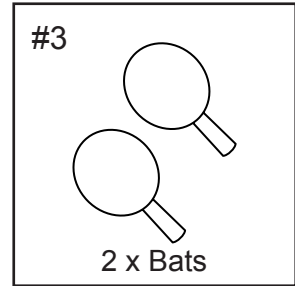
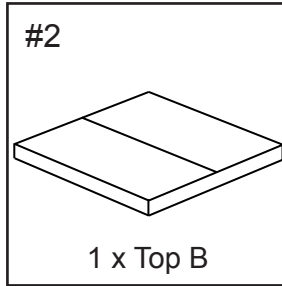
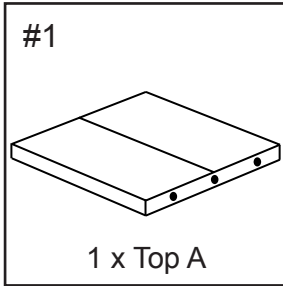
**IMPORTANT SAFETY NOTICE:  
note the following precautions  
before using the product.**

- 01** Assemble the product exactly as per the instructions in this manual.
- 02** Check the table top and all its connection points before using it for the first time and ensure that it has been built correctly and is safe to use.
- 03** Set up the product in a dry, level place and keep it away from moisture and water.
- 04** DO NOT use aggressive cleaning products such as detergents. Only use a clean cloth to clean the product.
- 05** This product is for home use only. If used outside, please store indoors after use.

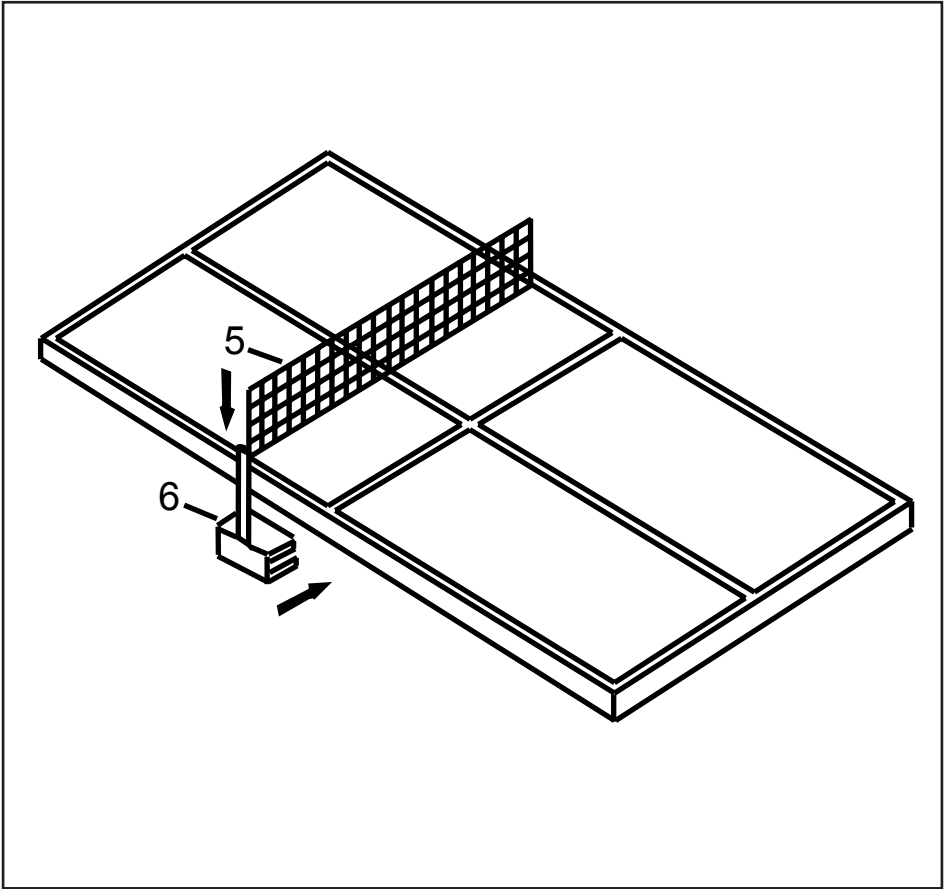
## Product Assembly.

### Contents Checklist

Make sure you have the following parts:

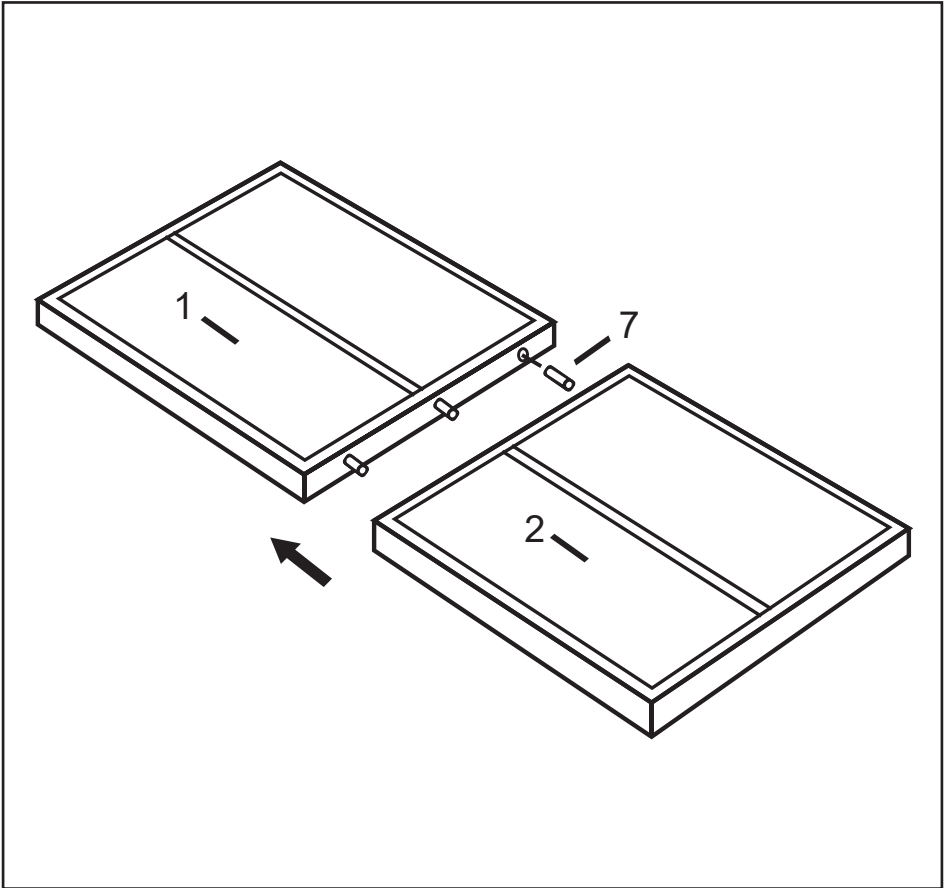


Step Two.



## Assembly Instructions

Step One.



**Note:** It requires two adults to assemble this table.



# Customer Support.

## Contact Information

Should you require any assistance regarding this product please gather the following information and then contact us using the details below:

- Original purchase date
- Place of purchase
- Information about the place and conditions of use
- Precise description of the issue or defect.

The best way to contact us is via the website: **www.viavito.com**

Viavito Ltd

Sabichi House

5 Wadsworth Road

Perivale, Middlesex

UB6 7JD

Email: **support@viavito.com**

**IMPORTANT!! - Please retain your sales receipt, Viavito Customer Care may request proof of purchase to validate eligibility for warranty service. Warranty cover starts from the date shown on the proof of purchase.**



<https://www.facebook.com/MyViavito>



<https://plus.google.com/+Viavito>



<https://twitter.com/MyViavito>



## Manufacturer's Warranty

Viavito ltd warrants this product to be free of defects of material and workmanship, under normal use and conditions, for a period of 6 months from the date of the original purchase.

### Terms.

This warranty extends only to the original purchaser and is not transferable.

The warranty does not cover:

- 01** Normal wear and tear
- 02** Any changes to upgrade this product from its normal state or use other than as described in the user manual
- 03** Damage resulting from:
  - a) Transport
  - b) Abuse, misuse, failure to follow instructions or improper or abnormal use
  - c) Non-home use - including commercial, professional, or rental purposes
  - d) Repairs not provided by Viavito ltd
  - e) Accidents, lightning, water, fire, or any other causes beyond the control of Viavito
  - f) Improper location including, but not limited to, humid, damp, dusty, or outdoor environments.

Viavito is not responsible or liable for direct, indirect, or consequential losses arising out of or in connection with the use of this product or damages with respect to any loss of property, revenue, profits, enjoyment or use, nor for any costs of removal or installation of this product.

This warranty covers products purchased as new inside the United Kingdom.

In the event of the table top requiring a repair, this may need to be performed at a Viavito authorised repair centre.

**This warranty is in addition to and does not in any way affect your statutory rights.**