

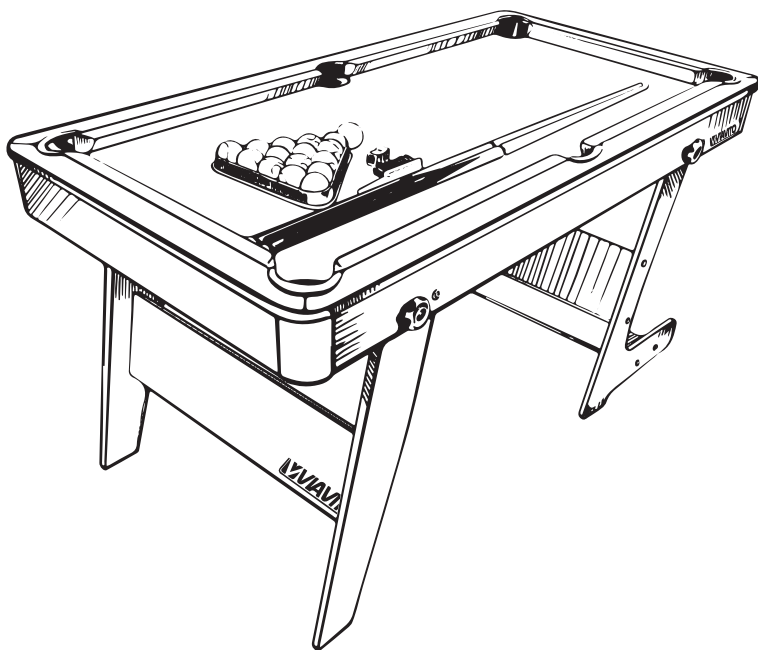


Owner's Manual.

PT100X

Folding Pool
Table

www.viavito.com



Manual version: 2.1



Congratulations on purchasing your very own **PT100X** Folding Pool Table

You have chosen a high-quality, safe and innovative product, and we are certain it will keep you entertained for hours.

Please take the time to read this owner's manual as it will help you to get the most out of your new product.

For more information, or if you require any assistance please email us at **support@viavito.com**

Manual Contents.

Safety Information	03
<hr/>	
Table Assembly	04/10
Contents Checklist	04
Assembly Diagram	05
Assembly Instructions	06/07
Folding & Storage Instructions	08/10
<hr/>	
Customer Support	11/12
Contact Information	11
Manufacturer's Warranty	12
<hr/>	
Technical Information	13/14
Exploded Diagram	13
Parts List	14



Safety Information.

- Please read all the instructions carefully before using this product.
- Retain this manual for future reference.
- The specifications of this product may vary slightly from the illustrations and are subject to change without notice.

**IMPORTANT SAFETY NOTICE:
note the following precautions
before using the product.**

- 01** Assemble the product exactly as per the instructions in this manual, using only the supplied tools to assemble it.
- 02** Check all the screws, nuts and other connections before using the table

for the first time and ensure that it has been built correctly and is safe to be used.

- 03** Set up the product in a dry, level place and keep it away from moisture and water.
- 04** DO NOT use aggressive cleaning products such as detergents. To clean the product only use a clean cloth.
- 05** This product is for home use only. If used outside, please store indoors after use.



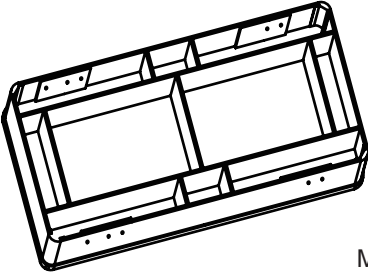
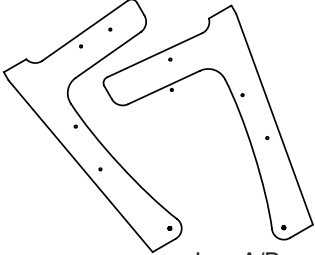
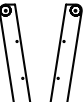
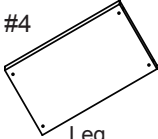
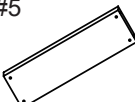



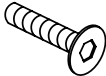



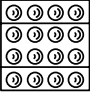



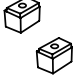
Please do view our assembly guide video on YouTube whilst you set up the table. It's sure to help make the process clearer.

<https://youtu.be/lvm-kA5VwoA>

Table Assembly.

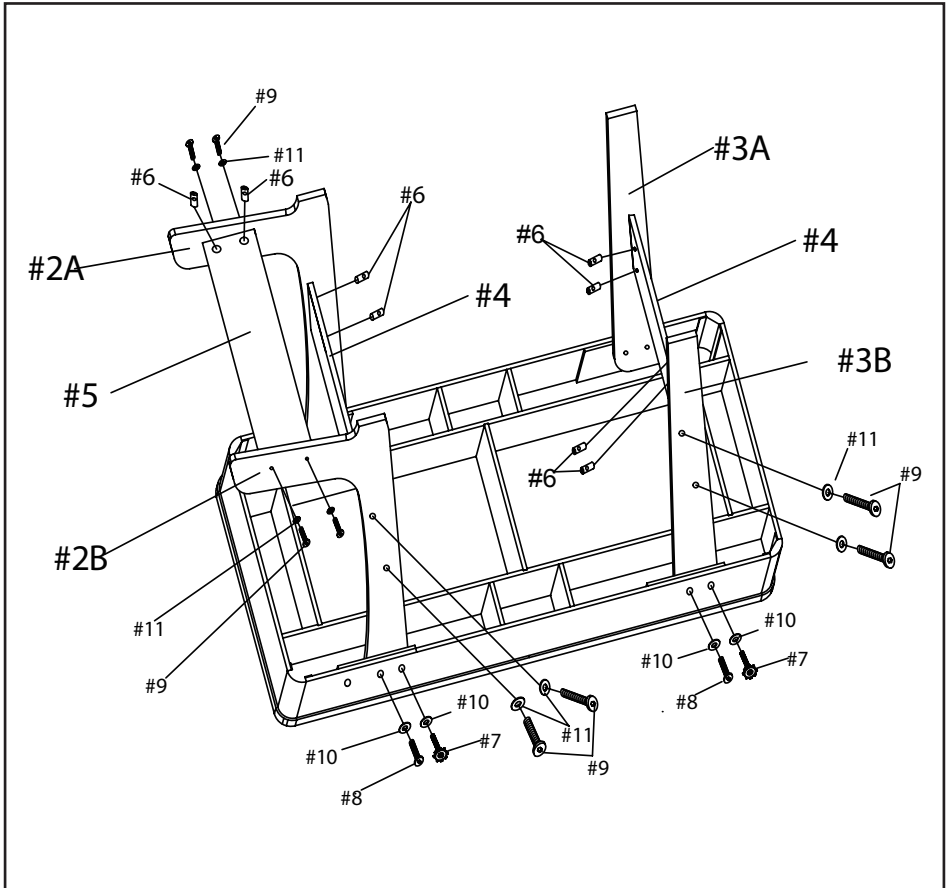
Contents Checklist

Make sure you have the following parts:

<p>#1</p>  <p>Main Frame</p>	<p>#2</p>  <p>Leg A/B 2 pcs</p>			
<p>#3</p>  <p>Leg A/B 2 pcs</p>	<p>#4</p>  <p>Leg Panel A 2 pcs</p>	<p>#5</p>  <p>Leg Panel B 1 pc</p>	<p>#5A</p>  <p>Allen Key 1 pc</p>	<p>#6</p>  <p>Nut 12 pcs</p>
<p>#7</p>  <p>5/16" Handle Bolt 4 pcs</p>	<p>#8</p>  <p>5/16" * 1-1/2" Bolt 4 pcs</p>	<p>#9</p>  <p>3/16" * 1-3/2" Bolt 12 pcs</p>	<p>#10</p>  <p>5/16" Washer 8 pcs</p>	<p>#11</p>  <p>3/16" Washer 12 pcs</p>
<p>#12</p>  <p>Billiard Balls 1 set</p>	<p>#13</p>  <p>Cue Sticks 2 pcs</p>	<p>#14</p>  <p>Triangle 1 pc</p>	<p>#15</p>  <p>Brush 1 pc</p>	<p>#16</p>  <p>Chalks 2 pcs</p>

Assembly Diagram

Note: It requires two adults to assemble this table.



Please do view our assembly guide video on YouTube whilst you set up the table. It's sure to help make the process clearer.

<https://youtu.be/lvm-kA5VwoA>



Assembly Instructions

Step One.

- 01** Lay the box on the floor and lift off the lid. The table will be upside down.
 - 02** Remove the cues, instruction manual and box of accessories, keeping the main frame in the inner packaging for now.
 - 03** Tilt the table up and remove the rest of the assembly contents, such as the legs and leg panels.
 - 04** Open the accessories box and remove the bags of nuts, bolts and washers. Check against the contents checklist on page 4 that all the necessary parts are present before continuing with the assembly process.
-

Step Two.

- 01** Attach legs 3A and 3B to the main frame using a handle bolt (#7), a bolt (#8) and two washers (#10) for each leg. The curved end of each leg should be against the table with the curved side facing inwards. The metal studs should face the inside of the table and the flat end of the leg should be in the air. Screw in the handle bolts and bolts loosely so that they hold the legs, but do not overtighten them yet.
- 02** Attach one leg panel (#4) to the legs you just attached using 4 bolts (#9), 4 washers (#11) and 4 nuts (#6). Push the nuts (#6) into the holes on the flat side, lining them up so they will take the bolts. Attach the leg panel with the nuts facing into the table, tightening the bolts (#9) with the Allen key.
- 03** Now tighten the bolts (#8) that you loosely attached in the first part of Step Two with the Allen key, and tighten the handle bolts (#7) with your hands.

Step Three.

- 01** Attach legs 2A and 2B to the main frame using handle bolt (#7), a bolt (#8) and two washers (#10) for each leg. The horizontal part of the legs should point towards the outside of the table, with the metal studs facing the inside. Attach the leg using the two innermost holes, leaving the third one closest to the end of the table free. As before, only screw the bolts in loosely.
- 02** Attach the two remaining leg panels (#4 & #5) to the legs using the bolts (#9), washers (#11) and nuts (#6) as before. The thicker leg panel (#4) goes on the vertical part of the legs, closest to the table, with the logo upside down and facing outwards. The thinner leg panel (#5) goes on the horizontal part of the legs, further away from the table, with the logo facing downwards and on the outside edge. Screw all bolts in loosely.
- 03** Once all the panels are in place, tighten all the bolts (#8 & #9) with the Allen key and the handle bolts (#7) with your hands.

Step Four.

- 01** This step requires two adults. Lift the table clean off the ground, turn it around so the legs point down, then place it down on the floor. Do not lean it on its legs as this can damage them. Now the table is ready, it's time to play!



Please do view our assembly guide video on YouTube whilst you set up the table. It's sure to help make the process clearer.

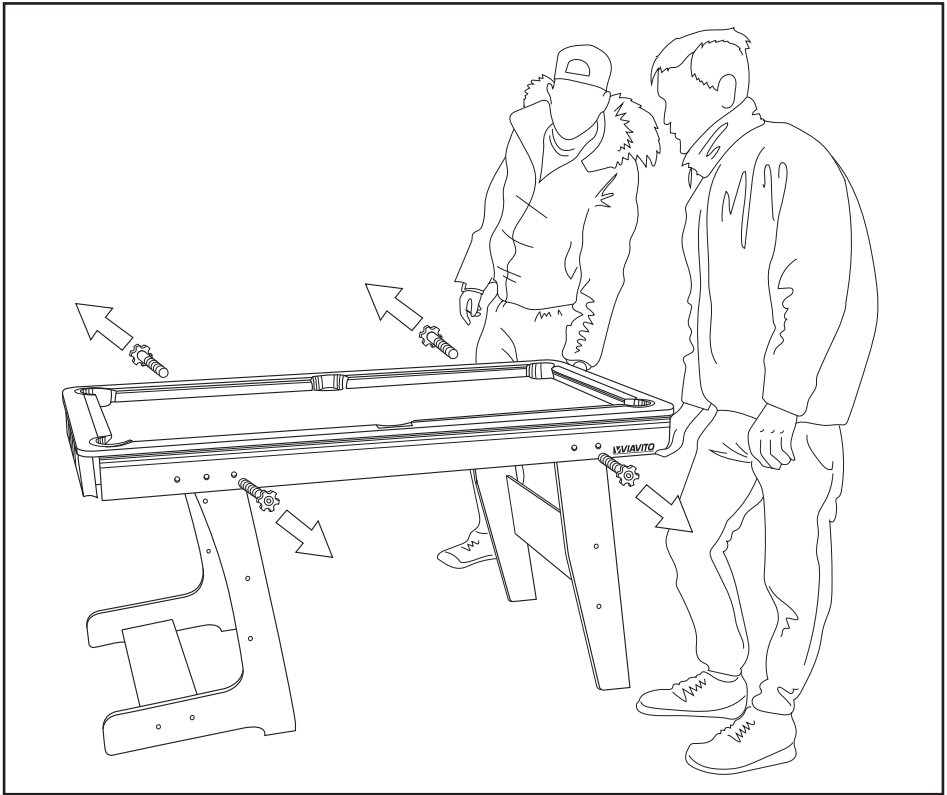
<https://youtu.be/lvm-kA5VwoA>

Folding & Storage Instructions

Note: It is recommended that two adults fold this table.

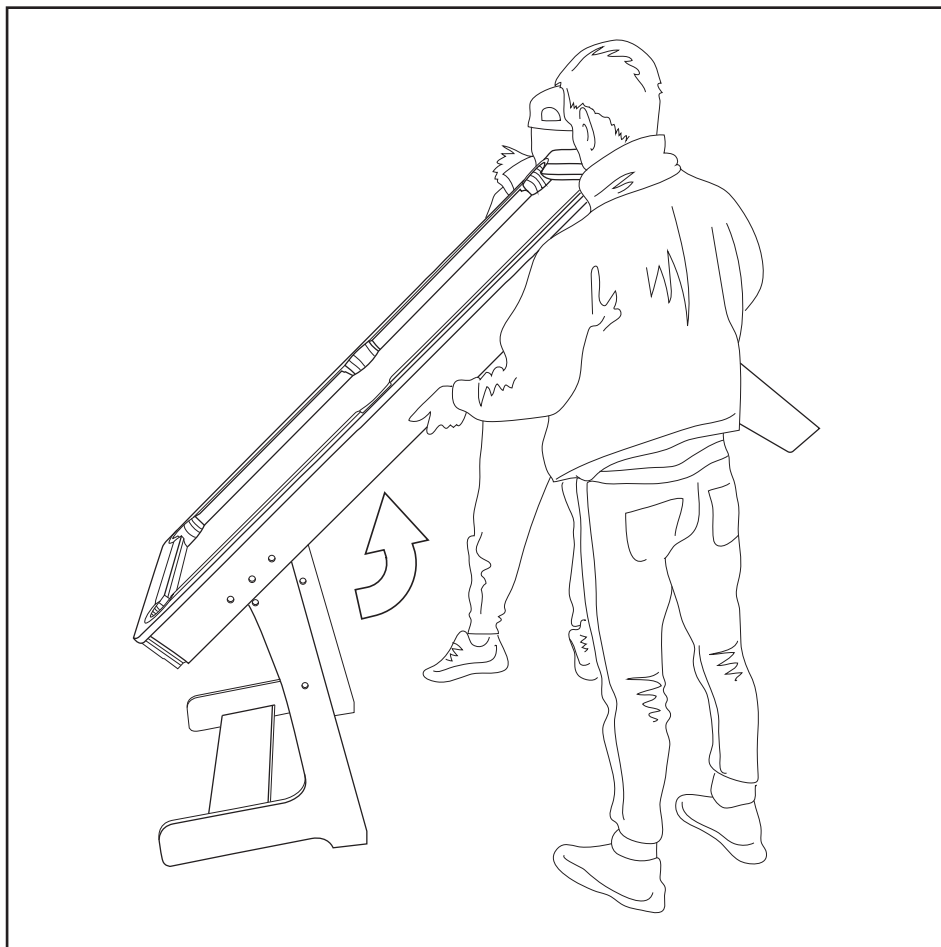
Step One.

01 Remove the bolt (#7) from each leg as per the diagram below. There are 4 in total to remove.



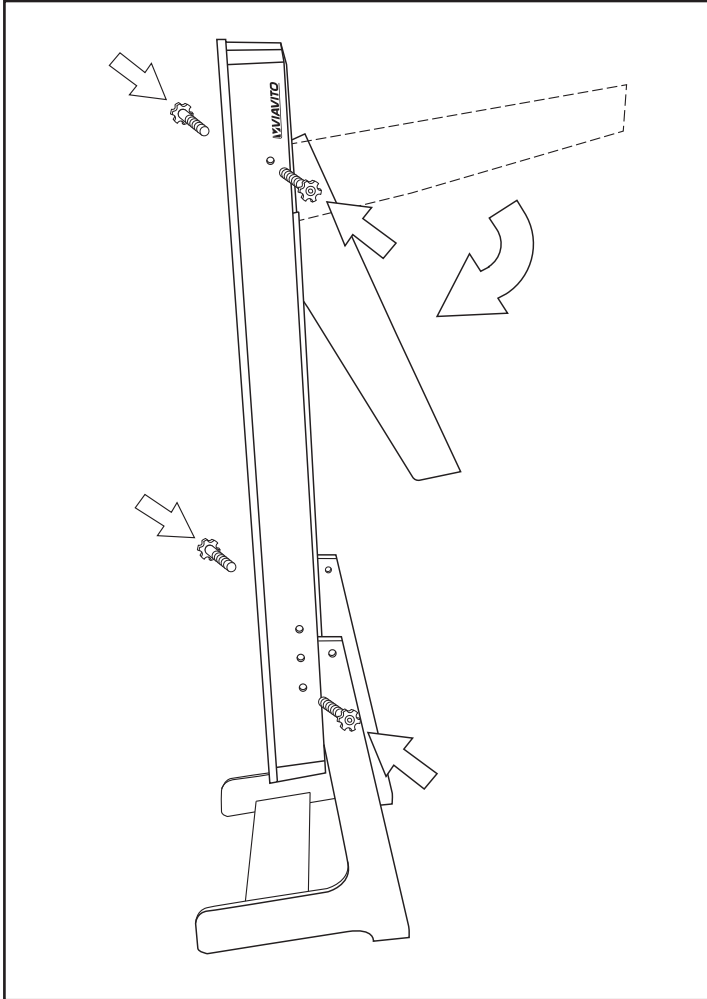
Step Two.

01 Supporting the table on each side, carefully lift it up into the vertical position.



Step Three.

- 01 Once the table is in the vertical position, fold the top legs down into the body of the table. Then secure the table by reinserting the 4 bolts (#7) through the sides and legs.





Customer Support.

Contact Information

Should you require any assistance regarding this product please gather the following information and then contact us using the details below:

- Original purchase date
- Place of purchase
- Information about the place and conditions of use
- Precise description of the issue or defect.

The best way to contact us is via the website: **www.viavito.com**

Viavito Ltd

Sabichi House

5 Wadsworth Road

Perivale, Middlesex

UB6 7JD

Email: **support@viavito.com**

IMPORTANT!! - Please retain your sales receipt, Viavito Customer Care may request proof of purchase to validate eligibility for warranty service. Warranty cover starts from the date shown on the proof of purchase.



<https://www.facebook.com/MyViavito>



<https://plus.google.com/+Viavito>



<https://twitter.com/MyViavito>



Manufacturer's Warranty

Viavito ltd warrants this product to be free of defects of material and workmanship, under normal use and conditions, for a period of 6 months from the date of the original purchase.

Terms.

This warranty extends only to the original purchaser and is not transferable. The warranty does not cover:

- 01** Normal wear and tear
- 02** Any changes to upgrade this product from its normal state or use other than as described in the user manual
- 03** Damage resulting from:
 - a) Transport
 - b) Abuse, misuse, failure to follow instructions or improper or abnormal use
 - c) Non-home use - including commercial, professional, or rental purposes
 - d) Repairs not provided by Viavito ltd
 - e) Accidents, lightning, water, fire, or any other causes beyond the control of Viavito
 - f) Improper location including, but not limited to, humid, dusty, or outdoor environments.

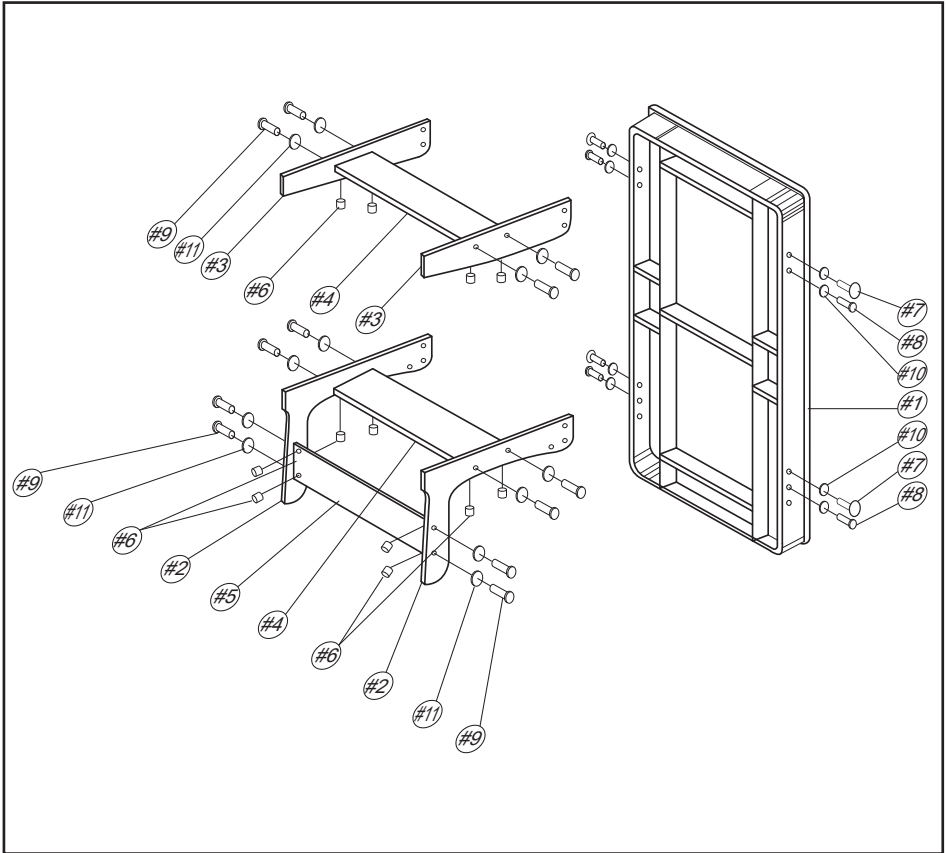
Viavito is not responsible or liable for direct, indirect, or consequential losses arising out of or in connection with the use of this product or damages with respect to any loss of property, revenue, profits, enjoyment or use, nor for any costs of removal or installation of this product.

This warranty covers products purchased as new inside the United Kingdom.

In the event of the table requiring a repair, this may need to be performed at a Viavito authorised repair centre.

Technical Information.

Exploded Diagram





Parts List

No.	DESCRIPTION	Q'TY	
#1	Main Frame	1	PCS
#2	Leg A / B	2	PCS
#3	Leg A / B	2	PCS
#4	Leg Panel A	2	PCS
#5	Leg Panel B	1	PCS
#5A	Allen Key	1	PCS
#6	Nut	12	PCS
#7	Handle Bolt	4	PCS
#8	Bolt	4	PCS
#9	Bolt	12	PCS
#10	Washer	8	PCS
#11	Washer	12	PCS
#12	Billiard Balls	1	SET
#13	Cue Stick	2	PCS
#14	Triangle	1	PCS
#15	Brush	1	PCS
#16	Chalk	2	PCS