

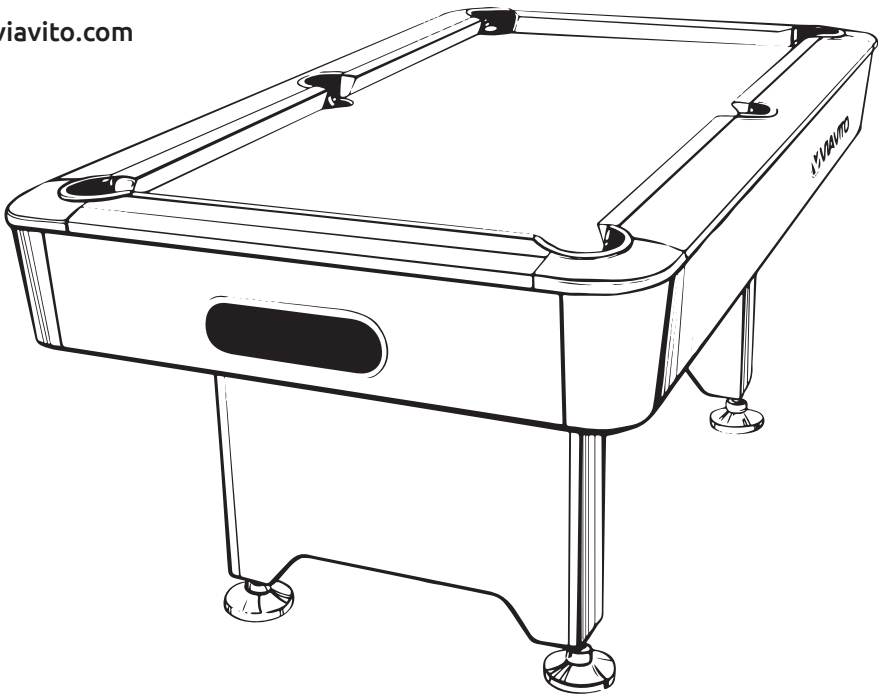


Owner's Manual.

PT200

6FT Pool Table

www.viavito.com



Manual version 2.1



Congratulations on purchasing your very own **PT200** 6FT Pool Table

You have chosen a high-quality, safe and innovative product, and we are certain it will keep you entertained for hours.

Please take the time to read this owner's manual as it will help you to get the most out of your new product.

For more information, or if you require any assistance please email us at **support@viavito.com**

Manual Contents.

Safety Information	03
<hr/>	
Table Assembly	05/06
Contents Checklist	04
Assembly Instructions	05/06/07
<hr/>	
Customer Support	08/09
Contact Information	08
Manufacturer's Warranty	09
<hr/>	
Technical Information	10/11
Exploded Diagram	10
Parts List	11



Safety Information.

- Please read all the instructions carefully before using this product.
 - Retain this manual for future reference.
 - The specifications of this product may vary slightly from the illustrations and are subject to change without notice.
- 04** DO NOT use aggressive cleaning products such as detergents. Only use a clean cloth to clean the product.
 - 05** This product is for home use only. If used outside, please store indoors after use.



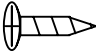



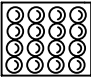

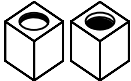



**IMPORTANT SAFETY NOTICE:
note the following precautions
before using the product.**

- 01** Assemble the product exactly as per the instructions in this manual, using only the supplied tools to assemble it.
- 02** Check all the screws, nuts and other connections before using the table for the first time and ensure that it has been built correctly and is safe to be used.
- 03** Set up the product in a dry, level place and keep it away from moisture and water.

Table Assembly.

Contents Checklist

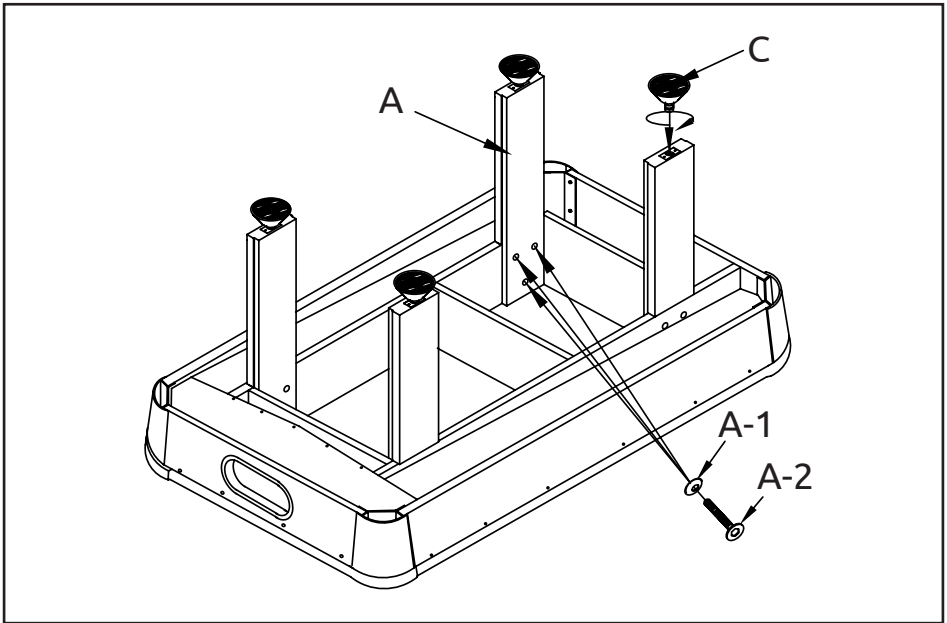
Make sure you have the following parts:

<p>A-2</p>  <p>5/16"x1-3/8" BOLTS 12pcs</p>	<p>A-1</p>  <p>5/16" WASHER 12pcs</p>	
<p>B-1</p>  <p>8#x1-1/4" SCREWS 24pcs</p>	<p>C</p>  <p>LEG LEVELERS 4pcs</p>	
<p>A</p>  <p>LEGS 4pcs</p>	<p>B</p>  <p>LEG END PANELS 4pcs</p>	
<p>E</p>  <p>BILLIARD BALL 1set</p>	<p>D</p>  <p>TOOL 1pc</p>	<p>I</p>  <p>CHALK 2pcs</p>
<p>G</p>  <p>BRUSH 1pc</p>	<p>H</p>  <p>CUE STICK 2pcs</p>	<p>F</p>  <p>TRIANGLE 1pc</p>

Assembly Instructions

Step One.

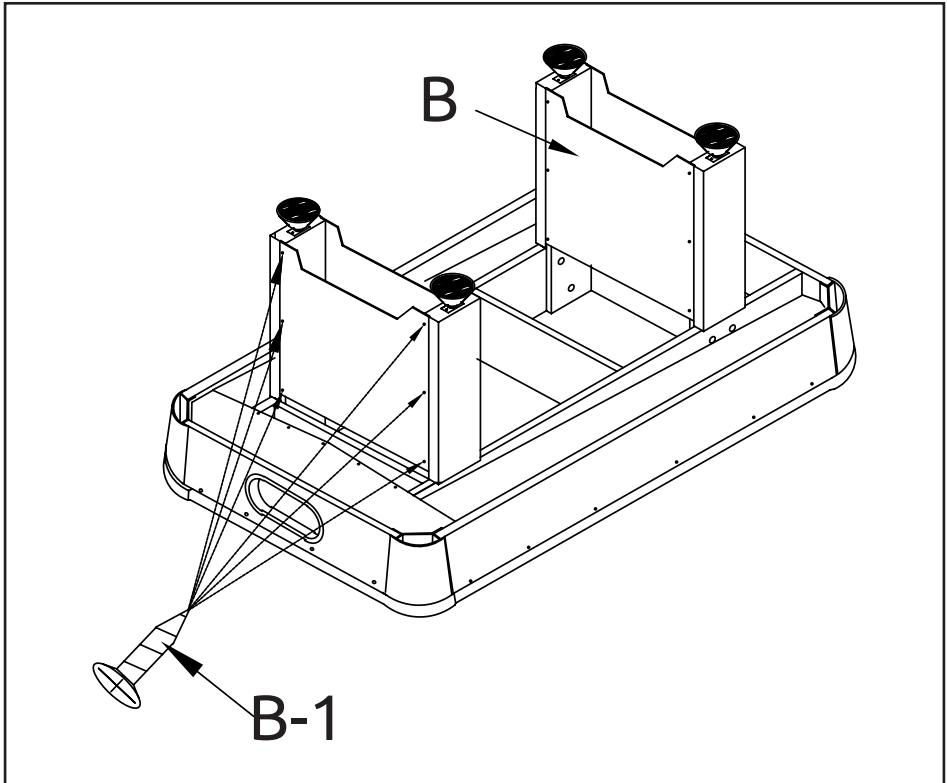
- 01** Find a clean, level place to begin the assembly of your table.
- 02** Attach the legs (A) to the skeleton using the bolts (A-2) and the washers (A-1) as shown below.
- 03** Attach one leg leveller (C) to the bottom of each leg as shown below.



Note: It requires two adults to assemble this table.

Step Two.

- 01 Attach the leg end panels (B) to the legs (A) using the screws (B-1) as shown below.

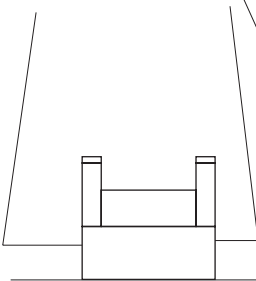




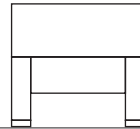
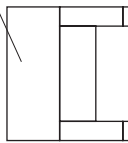
CAUTION

- 01 We recommend that two adults turn the table over
- 02 Lift up the table as shown
- 03 Turn the table over
- 04 Place the table on all four feet at the same time on the ground

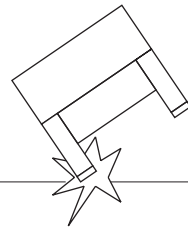
TAKE HOLD OF
THE CABINET



DO NOT HOLD
THE LEGS



DO NOT LEAN THE
TABLE ON ITS LEGS



Please note: The PT200 table comes without markings. This allows you to set up the table for a variety of games including both snooker and pool.



Customer Support.

Contact Information

Should you require any assistance regarding this product please gather the following information and then contact us using the details below:

- Original purchase date
- Place of purchase
- Information about the place and conditions of use
- Precise description of the issue or defect.

The best way to contact us is via the website: **www.viavito.com**

Viavito Ltd

Sabichi House

5 Wadsworth Road

Perivale, Middlesex

UB6 7JD

Email: **support@viavito.com**

IMPORTANT!! - Please retain your sales receipt, Viavito Customer Care may request proof of purchase to validate eligibility for warranty service. Warranty cover starts from the date shown on the proof of purchase.



<https://www.facebook.com/MyViavito>



<https://plus.google.com/+Viavito>



<https://twitter.com/MyViavito>



Manufacturer's Warranty

Viavito Ltd warrants this product to be free of defects of material and workmanship, under normal use and conditions, for a period of 6 months from the date of the original purchase.

Warranty extensions may apply to this product subject to registering this product with Viavito. To qualify for this, please complete the warranty registration form on the Viavito website at **www.viavito.com** Full details of warranty extensions and the Viavito Manufacturer's Warranty are available online at **www.viavito.com**

Terms.

This warranty extends only to the original purchaser and is not transferable. The warranty does not cover:

- 01** Normal wear and tear
- 02** Any changes to upgrade this product from its normal state or use other than as described in the user manual
- 03** Damage resulting from:
 - a) Transport
 - b) Abuse, misuse, failure to follow instructions or improper or abnormal use

- c) Non-home use - including commercial, professional, or rental purposes
- d) Repairs not provided by Viavito Ltd
- e) Accidents, lightning, water, fire, or any other causes beyond the control of Viavito
- f) Improper location including, but not limited to, humid, damp, dusty, or outdoor environments.

Viavito is not responsible or liable for direct, indirect, or consequential losses arising out of or in connection with the use of this product or damages with respect to any loss of property, revenue, profits, enjoyment or use, nor for any costs of removal or installation of this product.

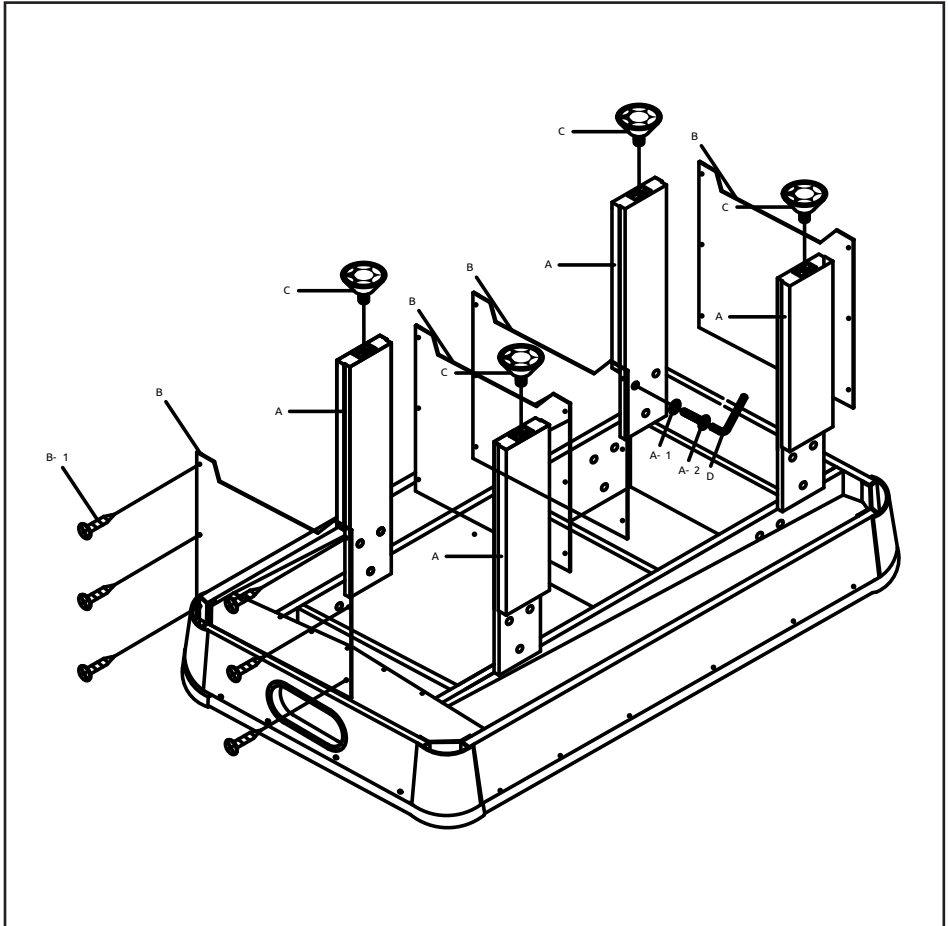
This warranty covers products purchased as new inside the United Kingdom.

In the event of the table requiring a repair, this may need to be performed at a Viavito authorised repair centre.

This warranty is in addition to and does not in any way affect your statutory rights.

Technical Information.

Exploded Diagram





Parts List

No.	DESCRIPTION	Q'TY	
A	Leg	4	PCS
A-1	Washer	12	PCS
A-2	Bolt	12	PCS
B	Leg Panel	4	PCS
B-1	Screw	24	PCS
C	Leg Leveller	4	PCS
D	Tool	1	PCS
E	Billiard Ball	1	SET
F	Triangle	1	PCS
G	Brush	1	PCS
H	Cue Stick	2	PCS
I	Chalk	2	PCS

